

Planmeca dental units

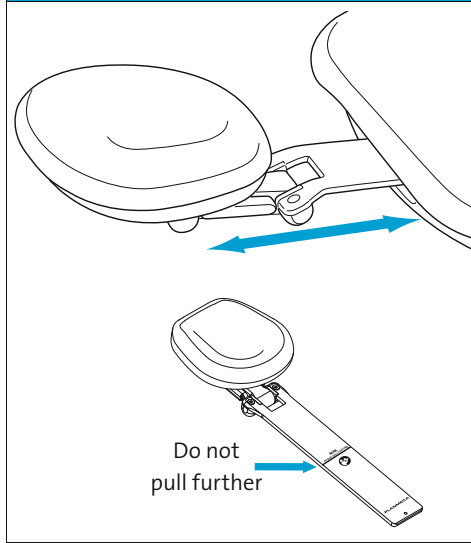
Fully adjustable headrests



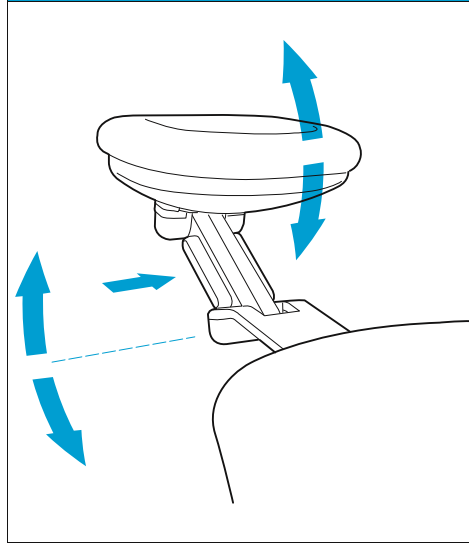
Choose oval or surgical headrest cushions – whichever best suit your needs



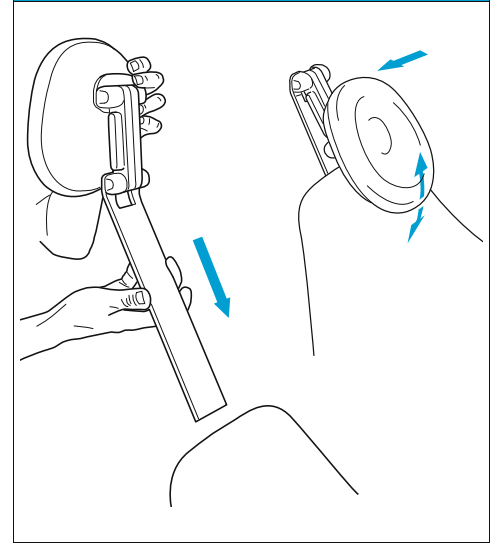
Easily adjust the length of the headrest by pulling it gently



Adjust the angle of the headrest from the lever on the side



The headrest can also be flipped around to better serve small patients



The opening in the backrest ensures that the surgical headrest can be conveniently flipped



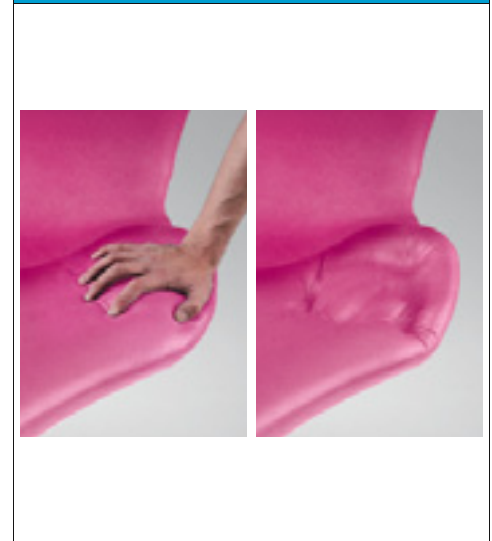
The child cushion set supports smaller patients and is available in all upholstery colours



The headrest can even be flipped for treating patients in wheelchairs behind the dental unit chair



Our Ultra Relax™ upholstery with viscoelastic filling provides enhanced comfort for patients



Different units – identical comfort

Planmeca dental units offer incredible comfort for patients of all sizes. Our headrests are fully adjustable and help to provide a calm treatment experience. Choose the cushion and colour of your liking and discover the unmatched comfort of Planmeca!



PLANMECA

Asentajankatu 6 | 00880 Helsinki | Finland | tel. +358 20 7795 500 | sales@planmeca.com | www.planmeca.com

Images may contain optional items not included in standard delivery. Available configurations and features may have country or area specific variations. Some products displayed above may not be available in all countries or areas. Rights for changes reserved.

Planmeca, All in one, Anamat Plus, Cobra, Comfy, DentreVac, Digital perfection, Economat Plus, Elegant, Flexy, Mini-dent, Perio Fresh, PlanEasyMill, Planmeca 4D, Planmeca AINO, Planmeca ARA, Planmeca CAD/CAM, Planmeca Chair, Planmeca Clarify, Planmeca Compact, Planmeca FIT, Planmeca Intra, Planmeca iRomexis, Planmeca Lumion, Planmeca Lumo, Planmeca Maximity, Planmeca Minea, Planmeca Minendo, Planmeca Minetto, Planmeca mRomexis, Planmeca Noma, Planmeca Online, Planmeca PlanCAD, Planmeca PlanCAM, Planmeca PlanClear, Planmeca PlanMill, Planmeca Planosil, Planmeca PlanPure, Planmeca PlanScan, Planmeca PlanView, Planmeca ProCeph, Planmeca ProFace, Planmeca ProID, Planmeca ProMax, Planmeca ProModel, Planmeca ProOne, Planmeca ProScanner, Planmeca ProSensor, Planmeca ProX, Planmeca Romexis, Planmeca Serenus, Planmeca SingLED, Planmeca Sovereign, Planmeca Ultra Low Dose, Planmeca Vision, Planmeca Verity, Planmeca Waterline Cleaning System, Planmeca Xtremity, Proline Dental Stool, ProTouch, Saddle Stool, SmartPan, SmartTouch, Trendy and Ultra Relax are registered or non-registered trademarks of Planmeca in various countries.

10041038/1016/en

